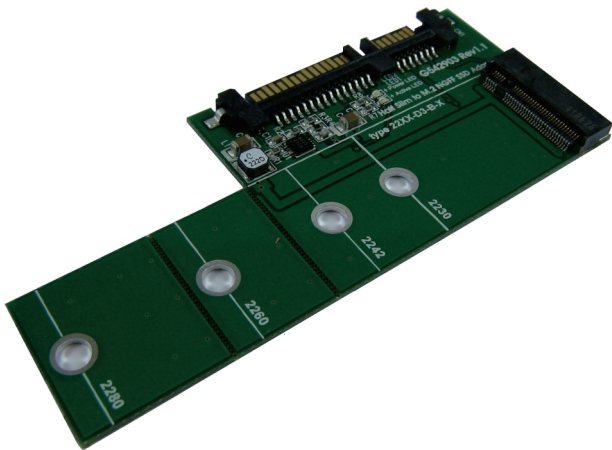
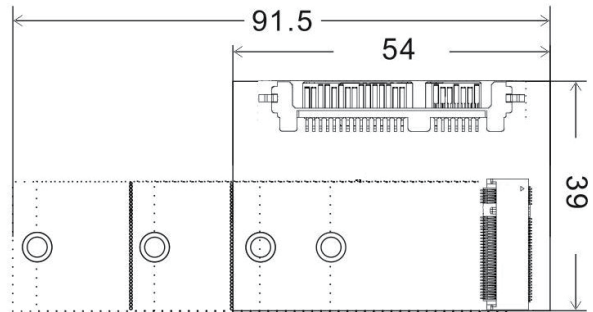


SATA III to M.2 (NGFF) SSD Adapter



Dimensions (unit:mm)



Order Information

| | |
|-------------|--|
| Part No. | AD910A |
| Description | Half Slim SATA III to M.2 NGFF SSD Adapter |

Features

- SATA Half Slim SSD Form Factor
- M.2 (NGFF) to SATA III Module
- Green LED indicates the M.2 SSD's power status
- Red LED indicates the M.2 SSD's active status

Specifications

- Support SATA Revision 3.2
- Compliant with PCI Express M.2 Spec. Version 1.0
- PWM synchronous buck converter Power IC
 - 3A maximum output current
 - Short circuit protection
 - In-rush current suppression
 - Thermal shutdown protection
 - ESD HBM (Human Body Mode)/2KV

Support M.2(NGFF) SSD Form factor

- Type 2280-D2-B-M: 80mm(L) x 22mm(W)
- Type 2260-D2-B-M: 60mm(L) x 22mm(W)
- Type 2242-D2-B-M: 42mm(L) x 22mm(W)
- Type 2230-D2-B-M: 30mm(L) x 22mm(W)

SSD Module pinout

| | | | |
|----|---------------------------|----------------|-------------|
| 74 | 3.3V | CONFIG_2 = GND | 75 |
| 72 | 3.3V | GND | 73 |
| 70 | 3.3V | GND | 71 |
| 68 | SUSCLK(32kHz) (I)(0/3.3V) | CONFIG_1 = GND | 69 |
| | Module Key | N/C | 67 |
| | Module Key | Module Key | M Key notch |
| | Module Key | Module Key | |
| | Module Key | Module Key | |
| | Module Key | Module Key | |
| 58 | Reserved for MFG Clock | GND | 57 |
| 56 | Reserved for MFG Data | N/C | 55 |
| 54 | N/C | N/C | 53 |
| 52 | N/C | GND | 51 |
| 50 | N/C | SATA-A+ | 49 |
| 48 | N/C | SATA-A- | 47 |
| 46 | N/C | GND | 45 |
| 44 | N/C | SATA-B- | 43 |
| 42 | N/C | SATA-B+ | 41 |
| 40 | N/C | GND | 39 |
| 38 | DEVSLP (I)(0/3.3V) | N/C | 37 |
| 36 | N/C | N/C | 35 |
| 34 | N/C | GND | 33 |
| 32 | N/C | N/C | 31 |
| 30 | N/C | N/C | 29 |
| 28 | N/C | GND | 27 |
| 26 | N/C | N/C | 25 |
| 24 | N/C | N/C | 23 |
| 22 | N/C | CONFIG_0 = GND | 21 |
| 20 | N/C | Module Key | M Key notch |
| | Module Key | Module Key | |
| | Module Key | Module Key | |
| | Module Key | Module Key | |
| 10 | DAS/DSS# (O)(OD) | N/C | 11 |
| 8 | N/C | N/C | 9 |
| 6 | N/C | N/C | 7 |
| 4 | 3.3V | N/C | 5 |
| 2 | 3.3V | GND | 3 |
| | | CONFIG_3 = GND | 1 |

Socket 2 SATA-based SSD Module Pinout